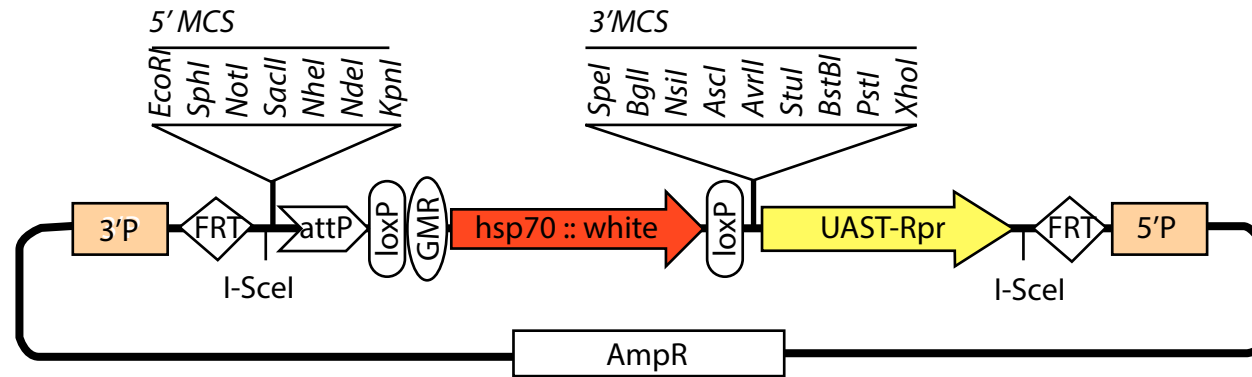
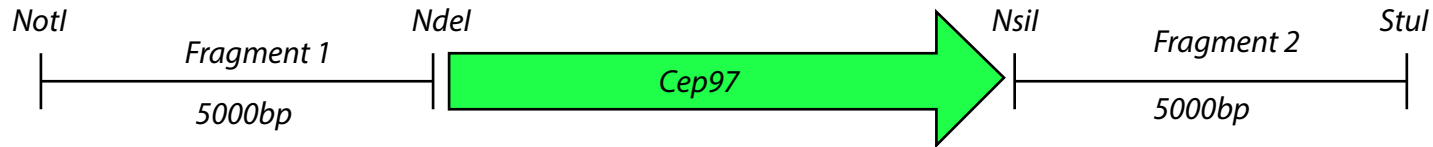


# pGX-attP



# Cep97



1. Digest pGX with NsiI and StuI
2. Clone fragment 2 into pGX backbone (Sequence)
3. Digest with NotI and NdeI
4. Clone fragment 1 (Sequence)